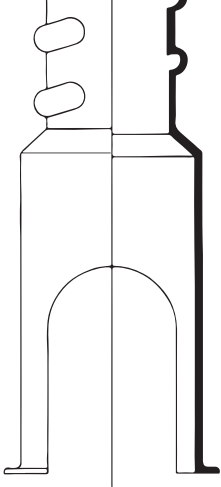


Bottom Sections — Series 200, 250 & 300

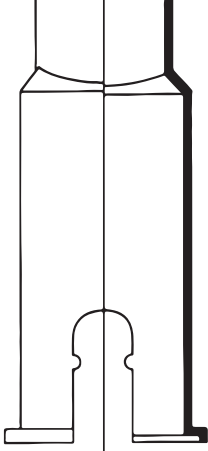
All bottoms available in screw and sliding boxes.

001



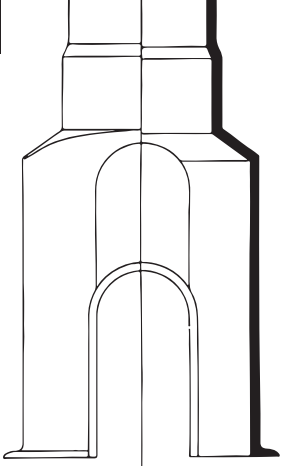
Standard Arch

002



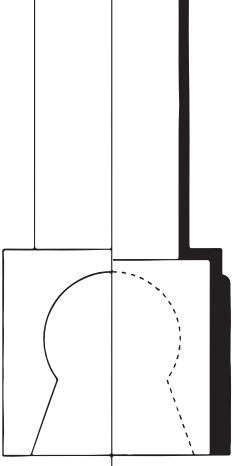
Fits: Nordstrom 1/2" - 1" Plastic Ball Valve
Lyll 3/4" - 1" Plastic Ball Valve
Perfection 1" Plug Valve

003



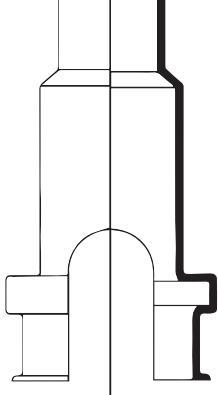
Fits: Perfection 3/4" - 1 1/4" Plug Valve
Dresser 3/4" 175 G.T.O.

004



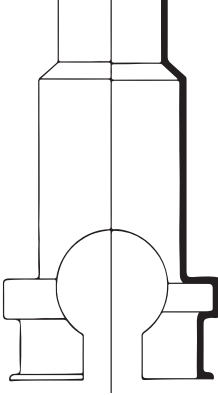
Fits: Perfection 3/4" - 1 1/4" Plug Valve
Dresser 3/4" 175 G.T.O.

005



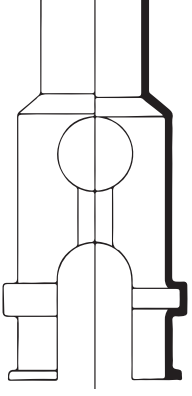
Fits: Inertite Posilok 1 1/4" 125 G.T.O.
Mueller 125 1" Gas
Kerotest 1" - 1 1/4" Plastic Valve
Kerotest 2" Plug Valve
Lyll 1 1/4" P.E. Ball Valve
Nordstrom 3/4" - 1 1/4" Plug Valve

006



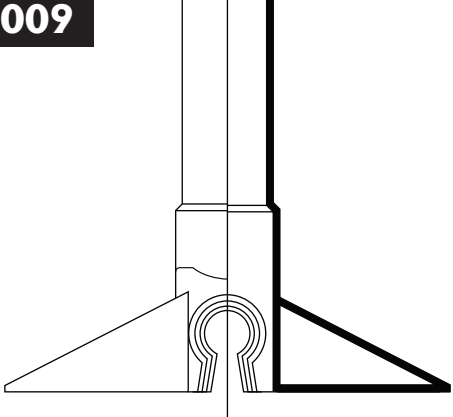
Fits: Dresser 1 1/4" 175 G.T.O.
Handley 1" - 1 1/4" Plug Valve
Kerotest 1 1/4" Plastic Valve
Kerotest 2" Plug Valve
Lyll 2" Plastic Valve
Nordstrom 1/4" - 1 1/4" Plug Valve

008



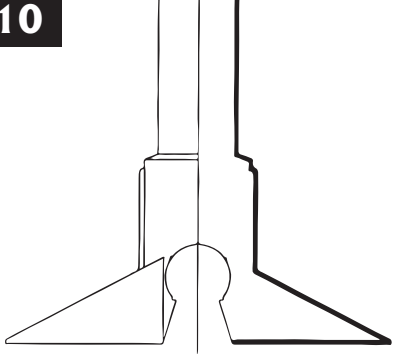
Fits: Dresser 3/4" - 1" 175 G.T.O.
Inertite 1" G.T.O.
Inertite 1 1/4" Posilock 12560
Lyll 1/2" - 1" Ball Valve
Mueller 1" 125 "GAS"
Nordstrom 3/4" - 1 1/4" Plug Valve

009



Fits: Dresser 3/4" G.T.O.
Dresser 1/2" - 1" Plastic Valve
Kerotest 3/4" - 1 1/4" Plastic Valve
Lyll 1/2" - 1 1/4" Ball Valve

010



Fits: Inertite 1" 125 GO
Inertite 1 1/4" 125 GO
Kerotest 3/4" - 1 1/4" Plastic Valve
Lyll 1 1/4" Ball Valve
Mueller 1" 125 GO
Perfection 1 1/4" Plastic Valve
Lyll 2" Ball Valve

Bottom Sections — Series 200, 250 & 300

011

CNG Bottom Bell

Fits: Bell 1/2" - 1 1/4" Poly & Steel Valves

013

Fits: Minneapolis Pattern
For Use with Minneapolis valve

014

For Use with Bingham & Taylor
Valve Support

015

Fits: Nordstrom 1/2" - 1 1/4" Plastic Valve
Nordstrom 1/2" - 1 1/4" Plug Valve
Perfection 1/2" - 1 1/4" Plug Valve

016

Fits: Dresser 1" Plastic Valve
Kerotest 1/2" - 1 1/4" Plastic Valve
Dresser 1" - 1 1/4" GTO
Perfection 1/2" - 1 1/4" Plastic Valve

BTVS014N

Fits: Nordstrom & Kerotest 1/2" - 1 1/4" Plastic Valves

BTVS014P

017

Fits: Kerotest 1/2" - 1 1/4" Plastic Valve
Dresser 1/2" - 1" Plastic Valve
Dresser 3/4" - 1 1/4" 175 GTO
Perfection 1/2" - 1 1/4" Plastic Valve

021

Fits: Perfection 1/2" - 1 1/4"
Use with Series 300 Only

022

Heavy Duty
Standard Arched Pattern

Fits: Poly and Steel Valves
1/2" - 1 1/4"

Fits: Perfection 1/2" - 1 1/4" Plastic Valves

Fits: Broen 1/2" - 1 1/4" Plastic Valves