

5 1/4" Shaft CIP Boxes

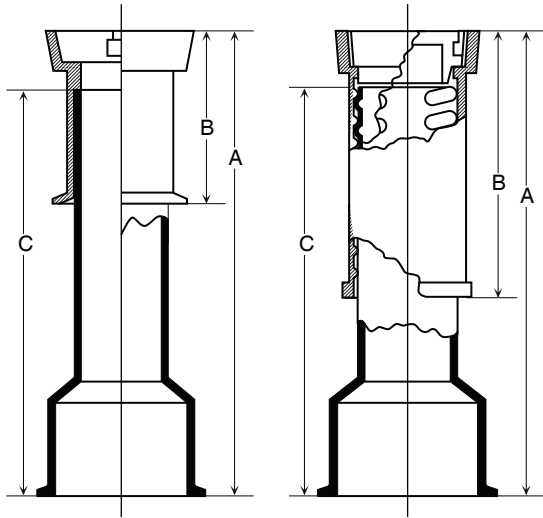


Fig. No. 8250
Slide Type Box

Fig. No. 8000
Screw Type Box

Fig. No. 8000 & 8250

2-Piece Combination

Cast Iron Top with Plastic Bottoms

- A complete two-piece box consists of a lid, a cast iron top section and a plastic bottom section.
- These boxes can be furnished with locking lids in certain sizes.
- Lids "Water", "Gas" or "Sewer". Others at extra cost.
- Fig. No. 8250 has flange at bottom of top section. Specify if not wanted.
- You can reduce cost by using short cast iron tops and long bottoms. Keep in mind the extension range needed and allow up to 4" for overlap.
- Square tops can be furnished in certain sizes.
- For available bell configurations see page 12.
- Paving adapters available, 1"- 4".

Covers

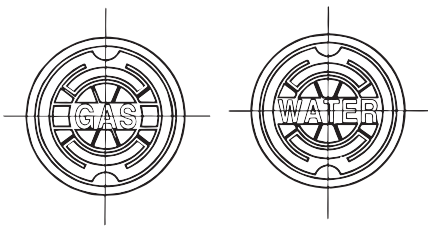


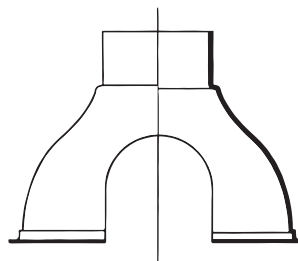
Fig. No. 8500 & 8750

| Size No. | | Extension Range A | Top Section & Cover | | | Bottom Section | | | Total Weight |
|------------|---------|-------------------|---------------------|--------|-----|----------------|--------|-----|--------------|
| Sliding | Screw | | No. | Dim. B | Wt. | No. | Dim. C | Wt. | |
| CIP 5460-S | CIP 17 | 18-20 | 54 | 10.5 | 35 | P-60 | 12 | 1.0 | 36.0 |
| CIP 5461-S | CIP 18 | 18-24 | 54 | 10.5 | 35 | P-61 | 18 | 1.5 | 36.5 |
| CIP 5561-S | CIP 19 | 24-33 | 55 | 15.5 | 42 | P-61 | 18 | 1.5 | 43.5 |
| CIP 5562-S | CIP 20 | 26-36 | 55 | 15.5 | 42 | P-62 | 24 | 2.0 | 44.0 |
| CIP 5563-S | CIP 20A | 32-42 | 55 | 15.5 | 42 | P-63 | 30 | 2.5 | 44.5 |
| CIP 5564-S | CIP 21 | 38-48 | 55 | 15.5 | 42 | P-64 | 36 | 3.0 | 45.0 |
| CIP 5664-S | CIP 22 | 36-60 | 56 | 26.5 | 58 | P-64 | 36 | 3.0 | 61.0 |
| CIP 5666-S | CIP 23 | 36-72 | 56 | 26.5 | 58 | P-66 | 48 | 4.0 | 62.0 |
| CIP 5668-S | CIP 24 | 36-84 | 56 | 26.5 | 58 | P-68 | 60 | 7.0 | 65.0 |

3-Piece Combination

Cast Iron Top With Plastic Middle & Base

- A complete three-piece box consists of a cast iron lid, a cast iron top section, a plastic middle which slides onto a plastic No. 6 base.
- All of the extras shown in Fig. No. 8800 and 8250 apply to these boxes.
- Base can have arch as shown if specified.
- Use any combination of top and middle to make length you desire. Allow up to 4" for overlap.
- Available bell designs shown on page 12.
- Paving adapters available 1"- 4".



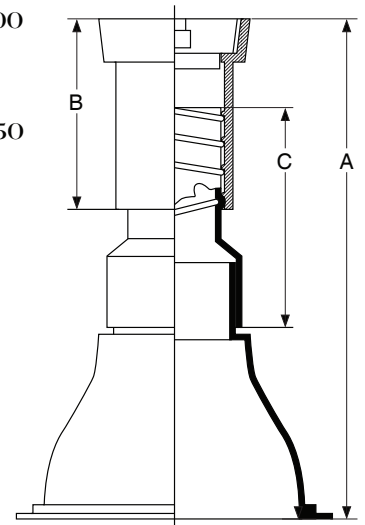
#6 Base Arched

Extension Ordering Table

| Size No. Sliding Type | Size No. Screw Type | Extends Box | Overall Length |
|-----------------------|---------------------|-------------|----------------|
| P-63-E | P-57X | 8 | 12 |
| P-64-E | P-58X | 14 | 18 |
| P-65-E | P-59X | 20 | 24 |
| P-66-E | P-60X | 32 | 36 |

Fig. No. 8500
Sliding Type
OR

Fig. No. 8750
Screw Type



| Size No. | | Extension Range A | Top Section & Cover | | | Middle Section | | | No. P-6 Base | | Total Weight |
|----------|--------|-------------------|---------------------|--------|-----|----------------|--------|-----|--------------|-----|--------------|
| Sliding | Screw | | No. | Dim. B | Wt. | No. | Dim. C | Wt. | Length | Wt. | |
| CIP-AA-S | CIP-AA | 22-28 | 54 | 10.0 | 1.0 | P-60 | 12 | 1.0 | 10 | 2.5 | 38.5 |
| CIP-A-S | CIP-A | 24-40 | 55 | 15.5 | 1.5 | P-61 | 18 | 1.5 | 10 | 2.5 | 46.0 |
| CIP-B-S | CIP-B | 36-48 | 55 | 15.5 | 2.0 | P-62 | 24 | 2.0 | 10 | 2.5 | 46.5 |
| CIP-C-S | CIP-C | 42-54 | 55 | 15.5 | 2.5 | P-63 | 30 | 2.5 | 10 | 2.5 | 47.0 |
| CIP-CC-S | CIP-CC | 48-60 | 55 | 15.5 | 3.0 | P-64 | 36 | 3.0 | 10 | 2.5 | 47.5 |
| CIP-D-S | CIP-D | 42-66 | 56 | 26.5 | 2.5 | P-63 | 30 | 2.5 | 10 | 2.5 | 75.0 |
| CIP-E-S | CIP-E | 48-72 | 56 | 26.5 | 3.0 | P-64 | 36 | 3.0 | 10 | 2.5 | 75.5 |