

Series 600 Plastic Valve Boxes

Fig. No. P-600-S
Slide Type Box

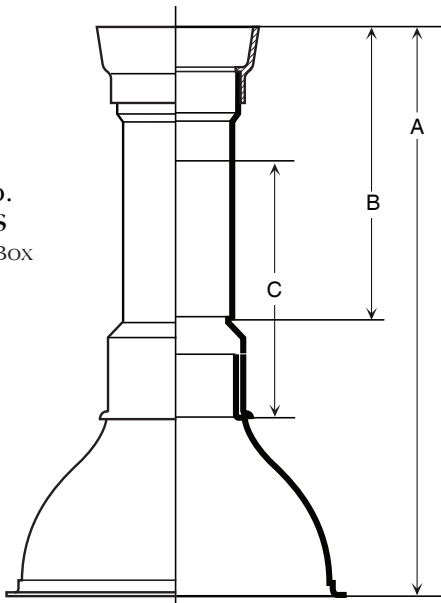
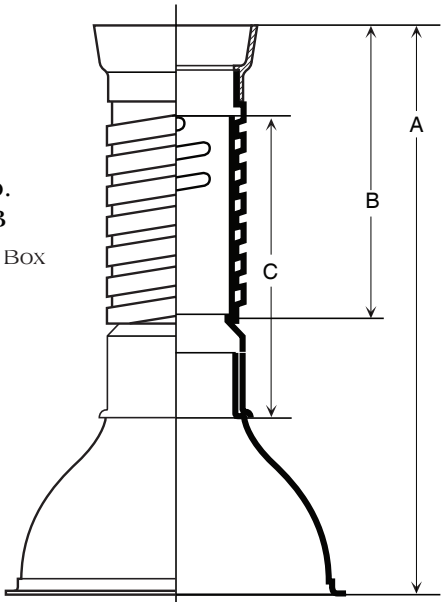


Fig. No. P-600

Series 600—5 1/4" Shaft 3-Piece Plastic Valve Boxes

- Sliding friction adjustment (Figure No. P-600-S) or screw (Figure No. P-600-B).
- Cast iron bonded to plastic tube.
- A.B.S. Plastic tops, middles and bases.
- Screw-type middles and extensions compatible for use with cast iron top sections.
- Series 600 boxes comparable to cast iron boxes Fig. No. 4906 and 4907.
- Bases available: 105, 107 and 108. (See page 12).
- Paving adapters available, 1" - 4".

Fig. No. P-600-B
Screw Type Box



Please specify top rim style, lid, size number and bell design. (See pages 11 and 12 for selection).

Extension Ordering Table

Sliding Type	Screw Type	Extends Length	Overall Length
P-63-E	P-57	12.0	16.0
P-64-E	P-58	18.0	24.0
P-65-E	P-59	24.0	30.0

Size No. Sliding Type	Size No. Screw Type	Extension Range - A	Top Section & Lid			Middle Section			P-6 Weight	Total Weight
			No.	Dim. B	Weight	No.	Dim. C	Weight		
P-AA-S	P-AA	22-28	P-54	10	22	P-60	12	1.0	2.5	25.5
P-A-S	P-A	28-40	P-55	15	23	P-61	16	1.5	2.5	27.0
P-B-S	P-B	36-48	P-55	15	23	P-62	24	2.0	2.5	27.5
P-C-S	P-C	42-54	P-55	15	23	P-63	30	2.5	2.5	28.0
P-CC-S	P-CC	48-60	P-55	15	23	P-64	36	3.5	2.5	28.0
P-D-S	P-D	42-66	P-56	27	24	P-63	30	2.5	2.5	29.0
P-E-S	P-E	48-72	P-56	27	24	P-64	36	3.5	2.5	30.0
P-F-S	P-F	60-84	P-57	39	25	P-64	36	3.5	2.5	31.0
P-G-S	P-G	72-96	P-57	39	25	P-66	48	4.0	2.5	31.5