

# 5 1/4" Shaft 2- & 3-Piece Valve Boxes

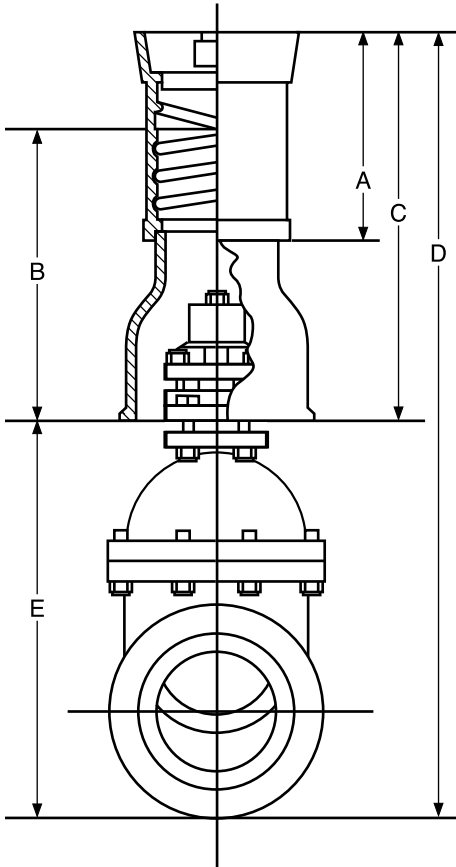


Table for Determining Length of 2-Piece Box Needed  
**5 1/4" Shaft 2-Piece Boxes**

Page 7 (pictured left, top)

| Size of Valve   | 3"  | 4"  | 5"  | 6"  | 8"  | 10" |
|---|-----|-----|-----|-----|-----|-----|
| Inches from bottom lower section to bottom trench — E | 10" | 12" | 14" | 16" | 21" | 25" |

To determine length box to order on page 7 (Dim. C), use depth of trench (Dim. D) and deduct inches shown in table above (Dim. E).

EXAMPLE: For 6" valve in 5 foot trench.

|                     |       |
|---------------------|-------|
| Depth of trench     | 60"   |
| For 6" valve deduct | - 16" |
| Min. length box     | 44"   |

**See Page 7 — Order No. 21 or 5564-S (36"-48")**

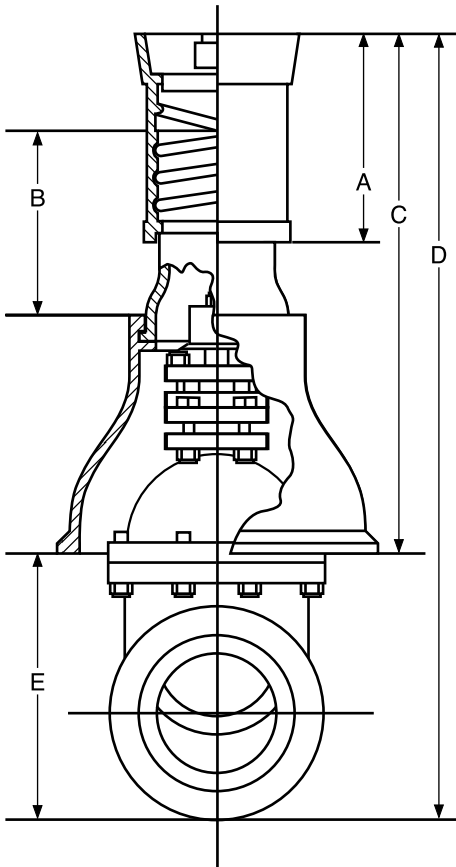


Table for Determining Length of 3-Piece Box Needed  
**5 1/4" Shaft 3-Piece Boxes**

Page 8 (pictured left, bottom)

| Size of Valve | Bottom Base to Bottom Trench (Dim. E) | No. Base Used | Depth of Trench (Dim. D) |     |     |     |     |     |     |     |     |  |
|---------------|---------------------------------------|---------------|--------------------------|-----|-----|-----|-----|-----|-----|-----|-----|--|
|               |                                       |               | 36"                      | 42" | 48" | 54" | 60" | 66" | 72" | 78" | 84" |  |
| 3             | 8"                                    | 4             | A                        | B   | C   | CC  | D   | E   | F*  | F*  | G   |  |
| 4             | 12 1/2"                               | 4             | A                        | A   | B   | C   | CC  | D   | E   | F*  | F*  |  |
| 6             | 15"                                   | 6             | AA                       | A   | A   | B   | C   | CC  | D   | E   | F*  |  |
| 8             | 19"                                   | 6             | AA                       | A   | A   | B   | B   | C   | CC  | D   | E   |  |
| 10            | 24"                                   | 6             |                          | AA  | A   | A   | B   | B   | C   | CC  | D   |  |
| 12            | 31"                                   | 160           |                          |     | AAA | A   | A   | B   | B   | C   | CC  |  |
| 14            | 36 1/2"                               | 160           |                          |     |     | AA  | A   | A   | B   | B   | C   |  |
| 16            | 41 1/4"                               | 160           |                          |     |     |     | AA  | AA  | A   | B   | C   |  |

\* The longest box we manufacture is the "E" valve box. In order to furnish "F", "G" and longer boxes, we will add extension sections to the "E".

For valves close to surface, use No. 140 base shown on page 8 and reduce length shown above 6 inches.