

5 1/4" Shaft 3-Piece Valve Boxes

Fig. No. 4906, 4907

3-Piece Screw & Sliding Type Valve Boxes

- Valve boxes are designed to cover the valve completely. See page 9.
- The top section screws or slides over the middle section to provide adjustment. The middle section locks into the base section.
- The No. 6 base is the standard base used to determine lengths shown in table on Page 9. All pricing considers the No. 6 base only. Other bases will reflect a change in complete box price and total length.
- See page 11 for paving adapters to raise our valve boxes.
- Locking covers available.
- Square screw type top available in 15" and 26 1/2" length.
- Longer boxes can be furnished by adding extensions. See below.

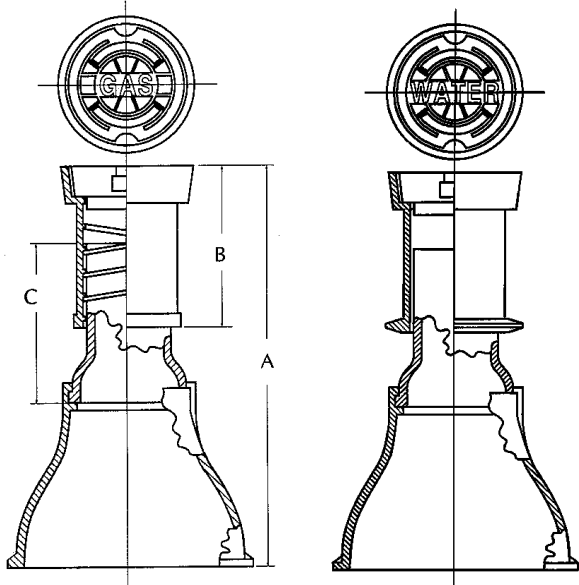


Fig. No. 4906

Fig. No. 4907

Cover Marked GAS or WATER. Special Lettering at Extra Cost.
Cover weight - 13 lbs. See Table on Page 9 for Lengths and Sizes.

Size No.	Extension Range - A	Top Section & Cover			Bottom Section			No. 6 Base Wt.	Total Wt.
		No.	Dim. B	Wt.	No.	Dim. C	Wt.		
AAA	17" Stat	53	6.0	32.5				45.0	77.5
AA	26"-30"	54	10.5	35.0	60	10.5	14.0	45.0	94.0
A	28"-40"	55	15.5	42.0	61	16.0	23.0	45.0	110.0
B	36"-48"	55	15.5	42.0	62	24.0	31.5	45.0	118.5
C	42"-54"	55	15.5	42.0	63	30.0	36.5	45.0	123.5
CC	48"-60"	55	15.5	42.0	64	36.0	46.0	45.0	133.0
D	42"-66"	56	26.5	58.0	63	30.0	36.5	45.0	139.5
E	48"-72"	56	26.5	58.0	64	36.0	46.0	45.0	149.0

Optional Bases

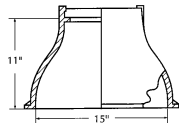


Fig. No. 4909-A

No. 6 Round Base

- For Valves 8" and smaller.
- Weight — 45 lbs.

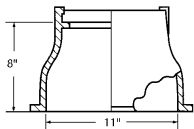


Fig. No. 4909-B

No. 4 Dome Base

- For valves 4" and smaller.
- Overall length of valve box in table will be 3" less.
- Weight — 30 lbs.

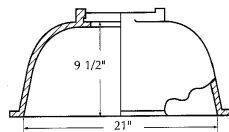


Fig. No. 4909-D

No. 160 Oval Base

- For valves 16" and smaller.
- Overall length of valve box in table will be 1 1/2" less.
- Weight — 70 lbs.

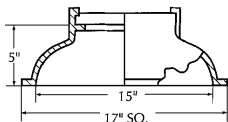


Fig. No. 4909-C

No. 8 Round Base

- 17" square flange for valves near surface & up to 24".
- Overall length of valve box in table will be 6" less.
- Weight — 30 lbs.

Fig. No. 4909-E (Not Shown)

No. 8 Round Base

- For 12" valves and smaller.
- Same as No. 6 round base (shown at left), only 12" high and 17" I.D. at bottom.
- Weight — 50 lbs.

Extensions

Fig. No. 4905-X

Screw Extension

Size No.	Increases Length A	Overall Length B	Wt.
57	9.0	13.0	20.0
58	14.0	18.0	23.0
59	20.0	24.0	31.5
60	24.0	30.0	36.5
61	30.0	36.0	46.0

Fig. No. 4905-X

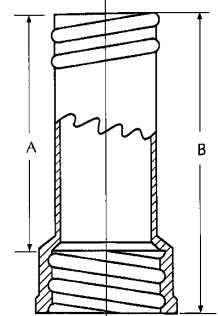


Fig. No. 4908-X

Sliding Extension

Size No.	Increases Length A	Overall Length B	Wt.
63-E	9.0	13.0	20.0
64-E	14.0	18.0	23.0
65-E	20.0	24.0	31.5
66-E	24.0	30.0	36.5
67-E	30.0	36.0	46.0

Fig. No. 4908-X

