

# 4 1/4" Shaft Round Head Roadway Boxes

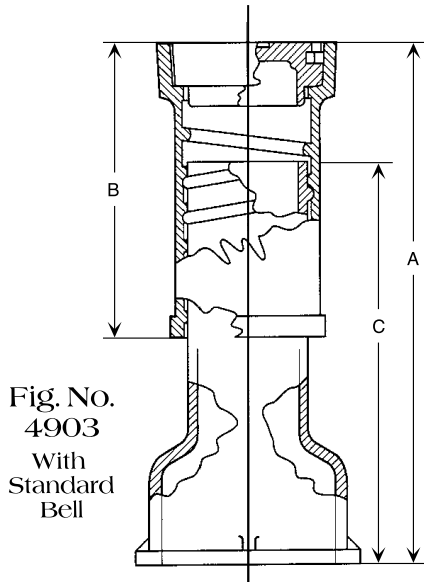


Fig. No. 4903  
With  
Standard  
Bell

Fig. No. 4903

## 4 1/4" Shaft 2-Piece Roadway Boxes

- This box is designed for use both in the roadway and behind the curb for valves up to 3 inches in size and large stop cocks.
- Standard covers are lettered WATER or GAS. Special lettering available at extra cost.
- Locking covers available, lettered WATER or GAS. Special lettering available at extra cost.
- Certain sizes available in sliding type.
- Certain sizes available in closed bell bottom covering the operating nut of small valves.
- Certain sizes available with square head top section and risers.

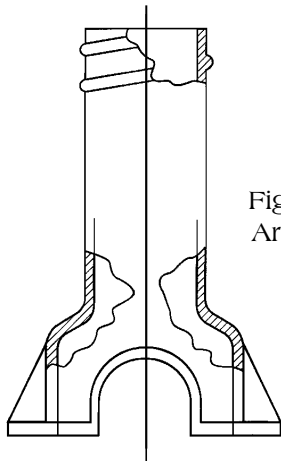


Fig. No. 4903  
Arched Bottom

Ordering Table — Dimensions in Inches, Weight in Lbs.

Size No.	Extension Range - A	Top Section & Cover			Bottom Section			Total Weight
		No.	Dim. B	Wt.	No.	Dim. C	Wt.	
140-Q	18"-24"	Q	12.0	25.4	140	14.75	16.0	41.4
141-Q	22"-28"	Q	12.0	25.4	141	18.00	23.0	48.4
142-Q	24"-30"	Q	12.0	25.4	142	22.50	29.0	54.4
142-R	27"-39"	R	20.5	41.0	142	22.50	29.0	70.0
143-R	34"-48"	R	20.5	41.0	143	30.50	33.0	74.0
144-R	39"-54"	R	20.5	41.0	144	36.25	35.0	76.0
144-RR	39"-60"	RR	26.0	45.0	144	36.25	35.0	80.0

## Raising Adapter

Fig. No. 4903-A, -B, -C  
Raising Adapter

- Used when repaving requires additional height to existing box.
- Uses existing cover or special non-tip cover with longer skirt — one size.
- Three Models:
  - 1 3/4" Raise only (Fig. No. 4903-A)
  - 1 3/4"-8" Raise (Fig. No. 4903-B)
  - 1" Raise (Fig. No. 4903-C)

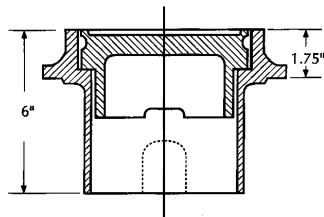


Fig. No. 4903-A

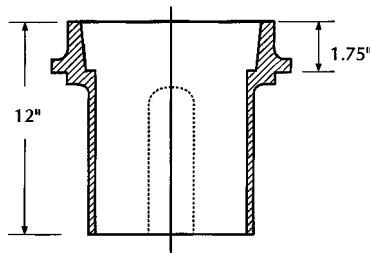


Fig. No. 4903-B

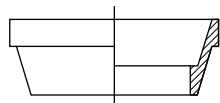


Fig. No. 4903-C

## Service Box Extension

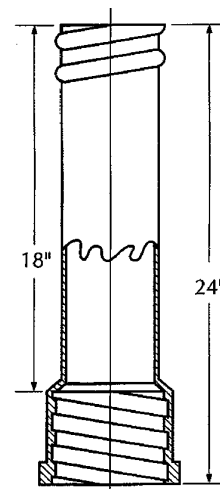


Fig. No. 4903-X

Fig. No. 4903-X  
No. 49  
Extension  
Section

- Extends boxes shown above up to 18 inches.
- Weight: 20 pounds.