

Eclipse Boxes

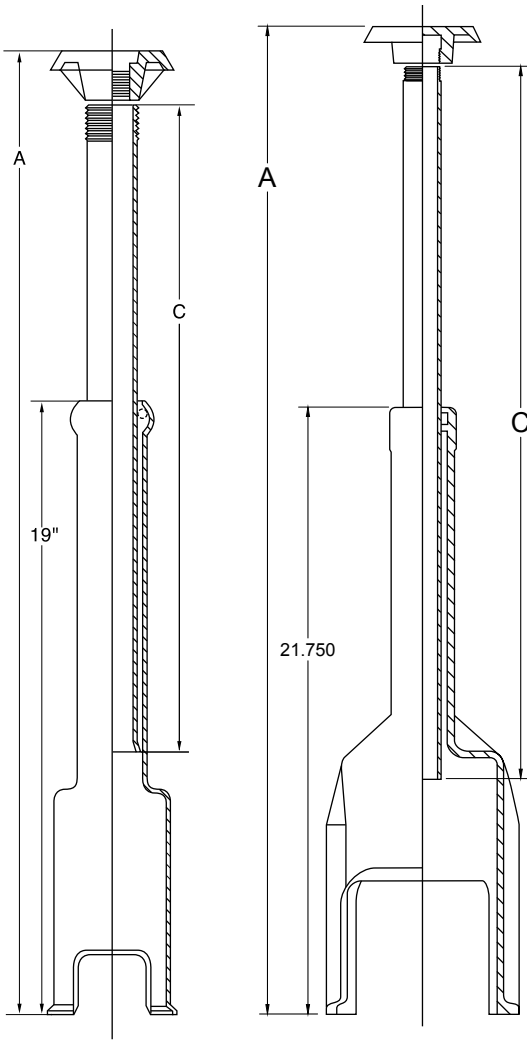


Fig. No. E-100 & E-125

Fig. No. E-100EB & E-125EB

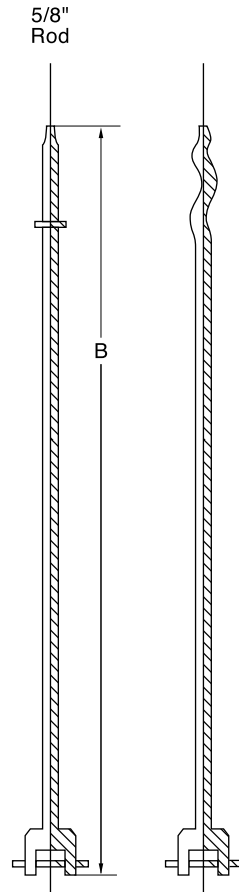


Fig. No. 4901-R

Fig. No. 4901-RS

Fig. No. E-100 & E-125

Eclipse Boxes Complete

- Lids are cast iron in two separate designs:
Type A — cast iron with water works head and pentagon brass plug. Cast iron plug style lid available in rope thread. Type B — cast iron with two 1/2" holes for operating with a straddle wrench. Has brass bushing with standard pipe thread to attach to pipe section.
- Steel pipe shaft available in 1" or 1 1/4" is adjustable up and down and held in place by a brass ring. Type A available in 1" and 1 1/4" pipe size. Type B available in 1" pipe size only.
- Bottom is cast iron. It is belled and arched to fit curb stops.
- The permanent steel rod is forged at the top end to receive a short cut-off wrench. The rod is welded to the cut-off key at the bottom. A connecting pin is provided to attach the key to the valve tee. Two rods available: straight rod with centering ring (4901-R) or curved rod (4901-RS).
- Complete curb box consists of lid (Type A or Type B), top pipe, cast iron bottom (standard or with enlarged base), and rod assembly (rod, ring and pin).
- No. 4980EC enlarged base is used with complete eclipse box for curb stops up to 2". Increased box length 6 inches.
- All eclipse boxes have 12" range of extension.
- 5/8" Steel rod. 1" and 1 1/4" steel pipe.
- 1/2" Stainless steel rods available.

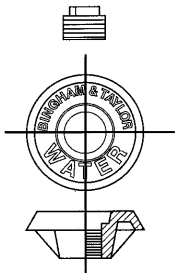
When Ordering Specify: Fig. No. — Size No. — Cover Marked GAS or WATER or Special Lettering at Extra Cost.

Fig. No. E-100 Type A-1 and B-1

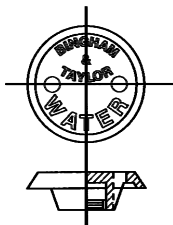
Size Dim. A	Rod Dim. B	Pipe Dim. C	Weight
1.5-2.5	16.75	11	15.0
2.0-3.0	21.00	17	16.0
2.5-3.5	27.00	23	16.5
3.0-4.0	33.00	29	17.0
3.5-4.5	39.00	35	18.0
4.0-5.0	45.00	41	19.0
4.5-5.5	51.00	47	20.0
5.0-6.0	57.00	53	21.0
5.5-6.5	63.00	59	22.0
6.0-7.0	69.00	65	23.0
6.5-7.5	75.00	71	24.0
7.0-8.0	81.00	77	25.0

Fig. No. E-125 Type A-1 1/4" Only

Size Dim. A	Rod Dim. B	Pipe Dim. C	Weight
1.5-2.5	16.75	13	15.0
2.0-3.0	21.00	19	16.0
2.5-3.5	27.00	25	16.5
3.0-4.0	33.00	33	17.0
3.5-4.5	39.00	37	18.0
4.0-5.0	45.00	43	19.0
4.5-5.5	51.00	49	20.0
5.0-6.0	57.00	55	21.0
5.5-6.5	63.00	61	22.0
6.0-7.0	69.00	67	23.0
6.5-7.5	75.00	73	24.0
7.0-8.0	81.00	79	25.0



Type A



Type B

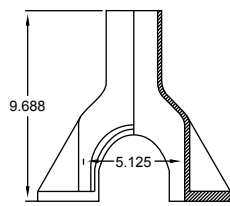


Fig. No. 4980EC