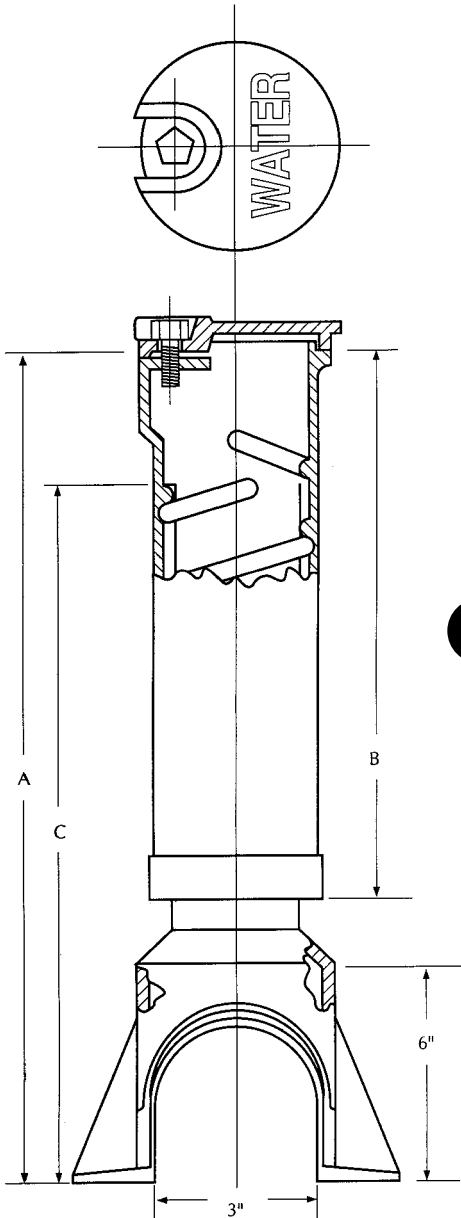


3" Shaft O.S. Curb Service Boxes

Fig. No. 4930

3" Old Style Service Box Complete

Fig. No. 4930



- We can furnish service boxes with 3" shaft for services up to 1 1/2".
- Old Style only.
- Repair lids and extensions are available for this box.
- Old style lid weighs 2.3 lbs.

Ordering Table — Dimensions in Inches, Weight in Lbs.

Size No.	Extension Range - A	Top Section & Cover			Bottom Section			Total Weight
		No.	Dim. B	Wt.	No.	Dim. C	Wt.	
2	24"-39"	9	18.0	19.6	2	23.0	14.1	32.7

When Ordering Specify: Fig. No. — Size No. — Cover Marked GAS or WATER or Special Lettering at Extra Cost.

Service Box Extensions

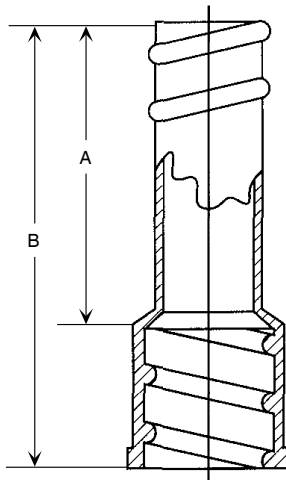


Fig. No. 4930-X

Size No.	Increases Length A	Overall Length B	Total Weight
155	20.0	22.75	13.1
156	24.0	26.75	17.7

Repair Lids

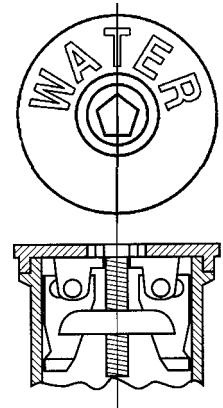


Fig. No. 4930-OSR
Old Style Repair Lid

Lettered Water or Gas as Specified

- Repair lids are designed for use when boxes in the ground have been damaged and it is not desirable to break the ground to replace the lids.
- These lids can be furnished as a substitute for our standard curb box lids at a slightly higher price.