

Roadway Boxes

Fig. No. 6050
#199 Roadway Box

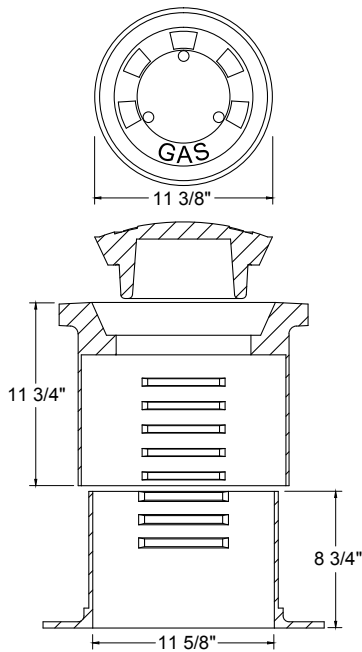


Fig. No. 6050

#199 Cast Iron Roadway Box

- Octagonal head roadway box with round convex lid.
- Convex lid is extra heavy and designed to prevent lid from dislodging in extreme traffic conditions.
- Threads are drop-turn for height adjustment.
- This is an extra heavy box to withstand extreme conditions.
- Extension range: 13" to 17".

Paving Adapters Available.

Fig. No. 6012
Square Head Valve Box

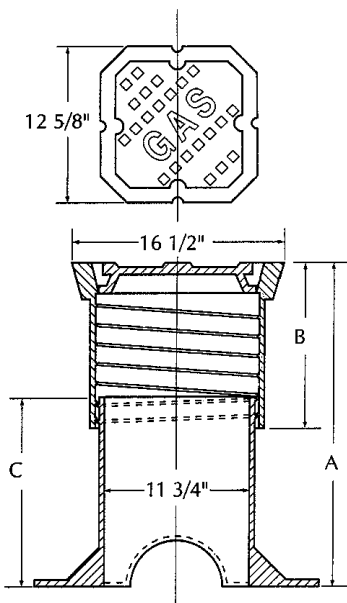


Fig. No. 6012
Square Head
Valve Box

- Extra large 12" round shaft screw type adjustable.

Fig. No. 6012-X
No. 100
Extension

- Available to extend box
12" Weight - 68 lbs.

Fig. No. 6012-A
1" Raise - 55 lbs.
1 1/2" Raise - 67 lbs.
Special Cover - 27 lbs.

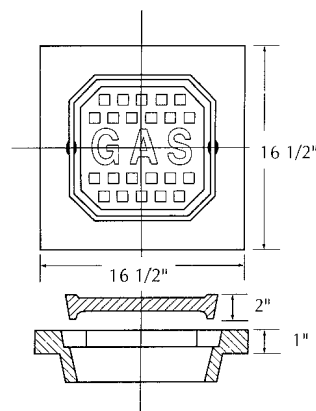


Fig. No. 6012-B
2 1/2" Raise - 95 lbs.
Cover - 40 lbs.
Use Cover From
Existing Box.

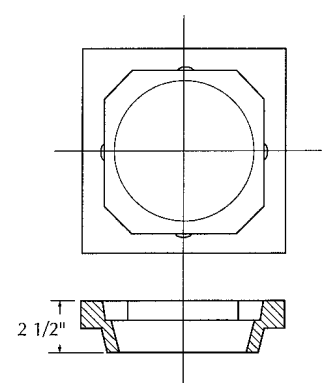


Table for Ordering

Size No.	Extension Range - A	Top Section & Cover		Bottom Section		Total Wt.
		Wt.	Dim. B	Wt.	Dim. C	
200	18"-26"	145	13	66	15 1/4	211
201	24"-37"	173	18 3/4	77	21 1/4	250

Fig. No. 6012-A & 6012-B
Adapters

- For raising box 1", 1 1/2" and 2 1/2".