

# Assorted Drip Boxes

Fig. No. 6004  
No. 106 Drip Box

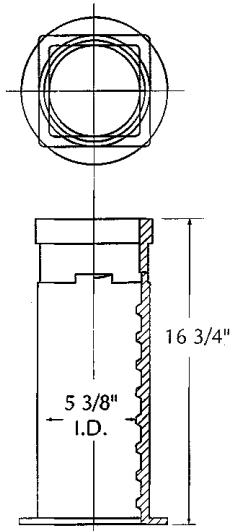


Fig. No. 6004-No. 106

## Square Head Drip Box

- Cover lettered GAS or GAS DRIP.
- Adapters available.
- Weight 35 lbs.

Fig. No. 6005  
#55 Drip Box

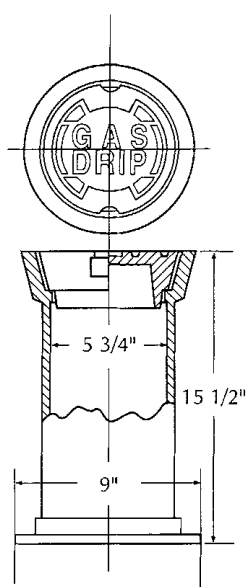


Fig. No. 6005-No. 55

## Round Head Drip Box

- Can be furnished with square head instead of round head.
- Cover lettered GAS or GAS DRIP.
- Adapters shown on Page 11.
- Round wt. 45 lbs., Square wt. 39 lbs.

Fig. No. 6007  
Square Head Drip Bo x

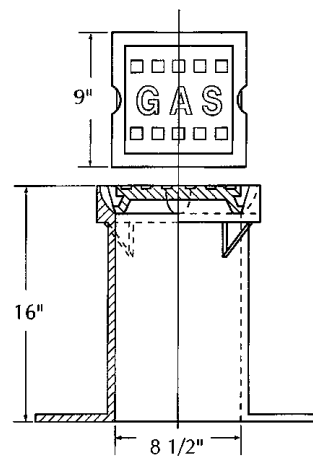


Fig. No. 6007-No. 178

## Square Head Drip Box

- Letter GAS unless otherwise specified.
- 14" square flange at bottom.
- Total weight - 99 lbs.
- Fig. No. 6007-1" raise, 6007-2 1/2" raise. 1" uses special lid; 2 1/2" uses existing lid. See Page 11.
- Adapters available.

Fig. No. 6008  
No. 48 Drip Box

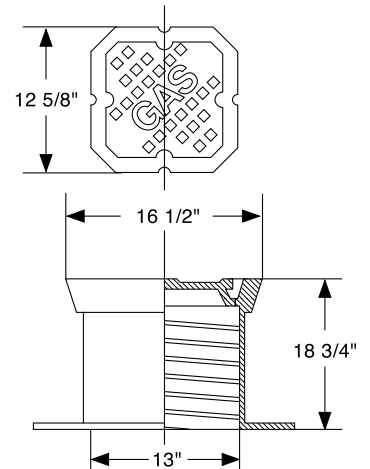


Fig. No. 6008-No. 48

## Drip Box

- Cover GAS, adapters available.
- Total weight - 188 lbs.
- 2" round flange at bottom.