

NEW FROM BINGHAM & TAYLOR

MARK V

HEAVY TRAFFIC VALVE BOXES



Available with or without flange.

- LIGHTER WEIGHT
- LONGER LIFE
- LOWER TCO



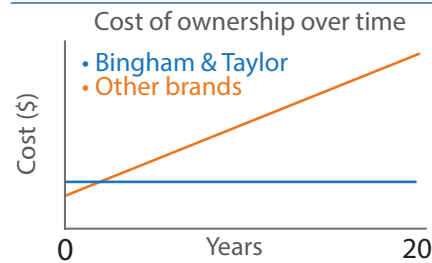
The new Mark V is a cast iron replacement to the conventional concrete box.

Engineered specifically for heavy traffic applications, it will not degrade like concrete, so Total Cost of Ownership is less.

KEY FEATURES INCLUDE:

- Cast Iron replaces less durable concrete.
- Heavy traffic design 4" deep skirt.
- Easy installation, no concrete apron required.
- Paving adapters / risers available: 1", 2", 3".
- Major weight advantage: Mark V weighs 34 lbs; concrete weighs 70% more: 58 lbs.
- Lids available: Standard Lid w/ 2" skirt (16 lbs)
Heavy Duty Lid w/ 4" skirt (20 lbs)
Locking Lid (16 lbs)
- Custom lids for all your needs: WATER, SEWER, TEST, CP TEST, ANODE, GAS, etc. Please inquire.
- Performance rating: meets AASHTO M306 and FAA AC 150/5320-6E load requirements.
- Universal design: round shaped Triangle Logo "RECLAIM" lid available.

The Mark V delivers a much lower Total Cost of Ownership than conventional concrete products.



BENEFITS INCLUDE:

- Cast iron is less likely to be damaged during installation and while in use.
- Installation is more efficient and less costly.
- Adaptable / efficient installations.
- Lighter weight satisfies employee weight lift restrictions, minimizes strains and injuries.
- Better for employees and installers; fewer workman's comp issues.
- Lids and boxes are durable and secure while providing easy access.
- Lid stays secure without set screws.
- Multiple industry use. Quick turnaround on custom lids, thanks to in-house pattern shop and foundry.
- Meets H-20/HS-20 heavy duty traffic load and airport / runway load requirements.
- Meets the requirements of ASTM A 48 Class 35B
- Reduced inventory.

100% MADE
IN THE
USA

Applications & Industries

Designed for every industry incorporating underground valves, the Mark V is the standalone replacement for concrete access boxes, also larger diameter valve boxes (8" PVC) for deeper bury and minimum 8" clear opening to valve.



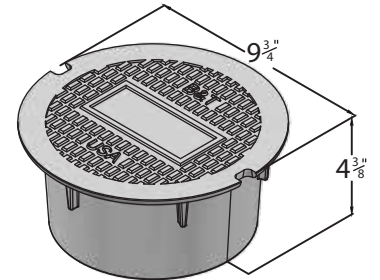
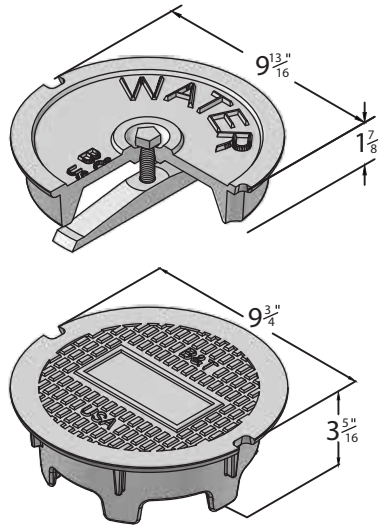
Bingham & Taylor

Est. 1849

Mark V Heavy Traffic Valve Box Components

DESCRIPTION PART NUMBER WEIGHT

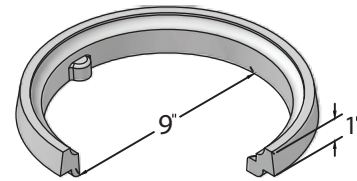
Mark V 10" Lid Standard "WATER"	CUL10LHVYW	16 lbs
Mark V 10" Lid Standard "CP TEST"	CUL10LHVYCPT	16 lbs
Mark V 10" Lid Heavy w/ 4" Skirt "WATER"	CUL10LHVY4W	20 lbs
Mark V 10" Lid Heavy w/ 4" Skirt "CPTST"	CUL10LHVY4CPT	20 lbs
Mark V 10" Lid Heavy Locking "WATER" w/ bar & bolt	I10LBHVVWL	16 lbs



Made in the USA.
Special lids available upon request.
Please inquire.

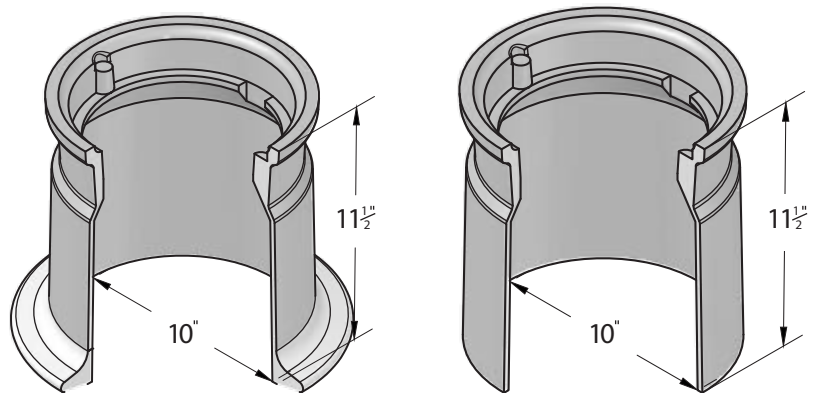
DESCRIPTION PART NUMBER WEIGHT

Mark V 10" Paving Adapter 1" Height (aka Riser /Grade Ring)	CUL10AMV1	7 lbs
Mark V 10" Paving Adapter 2" Height (aka Riser /Grade Ring)	CUL10AMV2	15 lbs
Mark V 10" Paving Adapter 3" Height (aka Riser /Grade Ring)	CUL10AMV3	26 lbs



DESCRIPTION PART NUMBER WEIGHT

Mark V 10" Rim Heavy (Without Flange)	CUL10RHVY	34 lbs
Mark V 10" Rim Heavy (With Flange)	CUL10RHVYF	44 lbs



Please inquire for box assembly part numbers.

Committed to Quality and Dedicated to Service

Bill Thomas: Director of South & Southeastern Sales, Office #334-283-8891 - Cell #334-703-1024
bthomas@binghamandtaylor.com

Perry Hyde: Director of Sales & Marketing, Office #540-825-8334 ext. 117 - Cell #540-229-1882
phyde@binghamandtaylor.com

Mark deLancellotti: Director of Western Region Sales, Cell #540-229-2599
mdelance@binghamandtaylor.com

Dennis Quinn: Director of Mid-Atlantic, New England and Canada Sales, Office #540-825-8334 ext. 116
Cell #540-219-4596 - dquinn@binghamandtaylor.com

Brad Washburn: Northeastern U.S. Sales Manager, Cell #540-229-6008
bwashburn@binghamandtaylor.com

Bingham & Taylor

Tel (540) 825.8334 • Fax (540) 825.2173
www.binghamandtaylor.com